

Crystal Oscillator

Model Name NT3225SA

Temperature-Compensated Crystal Oscillator with AFC Function (VC-TCXO) NT3225S Series

Main Application

For mobile phones, etc.

Features

- Supports low power supply voltage. (Supports DC +1.7 V to +3.3 V)
- Compact and light with a height, cubic volume, and weight of Max. 1.0 mm, 0.007 cm³, and 0.024g, respectively.
- With an AFC (Automatic Frequency Control) function.
- Low power consumption.
- A surface-mount crystal oscillator. (Reflow soldering is possible.)
- Lead-free. Meets the requirements for reflow profiling using lead-free solder.



Pb Free

RoHS Compliant
Directive 2011/65/EU

Specifications

Item	Model	NT3225SA	
Nominal frequency range (MHz)		10 to 40	
Standard frequency (MHz)		10, 12, 12.288, 12.8, 13, 14.4, 14.7456, 15, 15.36, 16, 16.368, 16.369, 16.384, 16.8, 18, 19.2, 19.44, 19.68, 20, 21.25, 22.4, 24, 24.576, 25, 26	38.4, 40
Supply voltage [V _{CC}] (V)		+3.0	
Load impedance		10 kΩ/10 pF	
Current consumption (mA)		Max. 1.5	Max. 1.7
Output voltage		Min. 0.8 V(p-p) (DC Coupling *1)	
Frequency/Temperature characteristics		Max. ±2.5×10 ⁻⁶	
Operating temperature range (°C)		-30 to +75	
Storage temperature range (°C)		-40 to +85	
Frequency/Voltage coefficient		Max. ±0.3×10 ⁻⁶ /+3.0 V±5 %	
Frequency/Load coefficient		Max. ±0.2×10 ⁻⁶ /(10 kΩ/10 pF) ±10 %	
Long-term frequency stability		Max. ±1.0×10 ⁻⁶ /year	
Frequency control range		±9.0×10 ⁻⁶ to ±15.0×10 ⁻⁶ /+1.5 V±1 V (*2)	

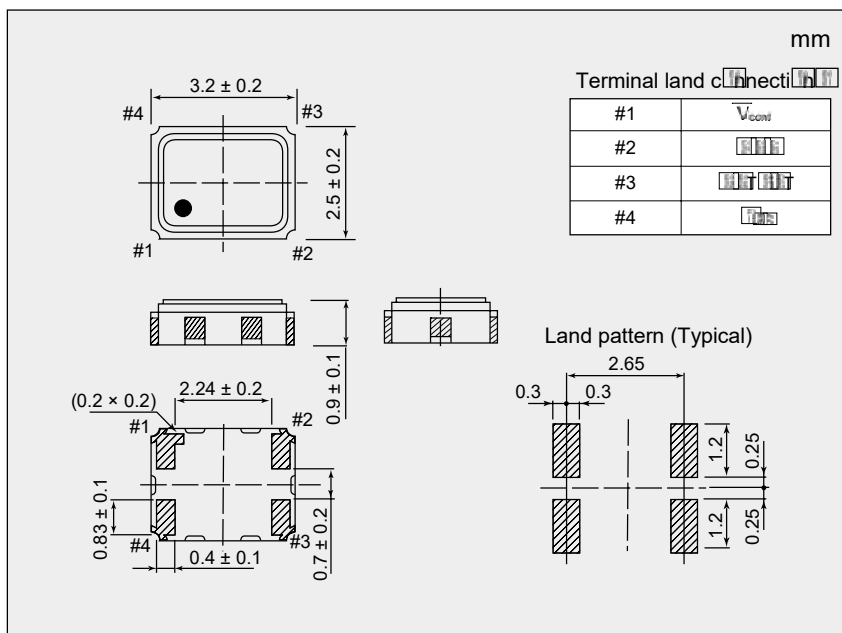
Frequency setting conditions

1. Frequencies are set at normal temperatures (+25±2 °C).
- If you require a product with a different frequency, power supply voltage, frequency control range, etc. to the standard specifications, please contact us with your enquiries.

*1. A DC-cut capacitor is not embedded in this crystal oscillator. Connect a DC-cut capacitor (1,000 pF) to the line-out terminal of the oscillator.

*2. This is a representative specification. The specifications may change according to the frequency and the supply voltage that you request.

Dimensions



Crystal Oscillator



Model Name NT3225SA

Temperature-Compensated Crystal Oscillator
with AFC Function (VC-TCXO) NT3225S Series

■ List of Ordering Codes

Frequency (MHz)	Ordering Code
10	NT3225SA-10M-NSA3520A
12	NT3225SA-12M-NSA3520A
12.288	NT3225SA-12.288M-NSA3520A
12.8	NT3225SA-12.8M-NSA3520A
13	NT3225SA-13M-NSA3520A
14.4	NT3225SA-14.4M-NSA3520A
14.7456	NT3225SA-14.7456M-NSA3520A
15	NT3225SA-15M-NSA3520A
15.36	NT3225SA-15.36M-NSA3520A
16	NT3225SA-16M-NSA3520A
16.368	NT3225SA-16.368M-NSA3520A
16.369	NT3225SA-16.369M-NSA3520A
16.384	NT3225SA-16.384M-NSA3520A
16.8	NT3225SA-16.8M-NSA3520A
18	NT3225SA-18M-NSA3520A
19.2	NT3225SA-19.2M-NSA3520A
19.44	NT3225SA-19.44M-NSA3520A
19.68	NT3225SA-19.68M-NSA3520B
20	NT3225SA-20M-NSA3520B
21.25	NT3225SA-21.25M-NSA3520B
22.4	NT3225SA-22.4M-NSA3520B
24	NT3225SA-24M-NSA3520B
24.576	NT3225SA-24.576M-NSA3520B
25	NT3225SA-25M-NSA3520B
26	NT3225SA-26M-NSA3520B
38.4	NT3225SA-38.4M-NSA3520C
40	NT3225SA-40M-NSA3520C

The above frequencies are NDK's standard frequencies.

Frequencies other than the above are available. Feel free to contact our sales representatives.